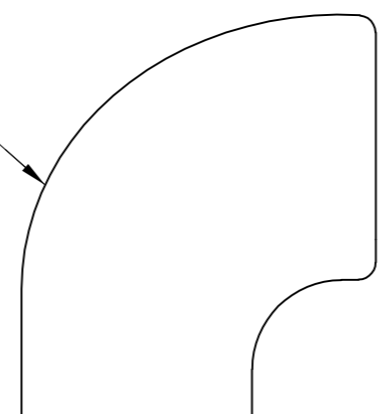


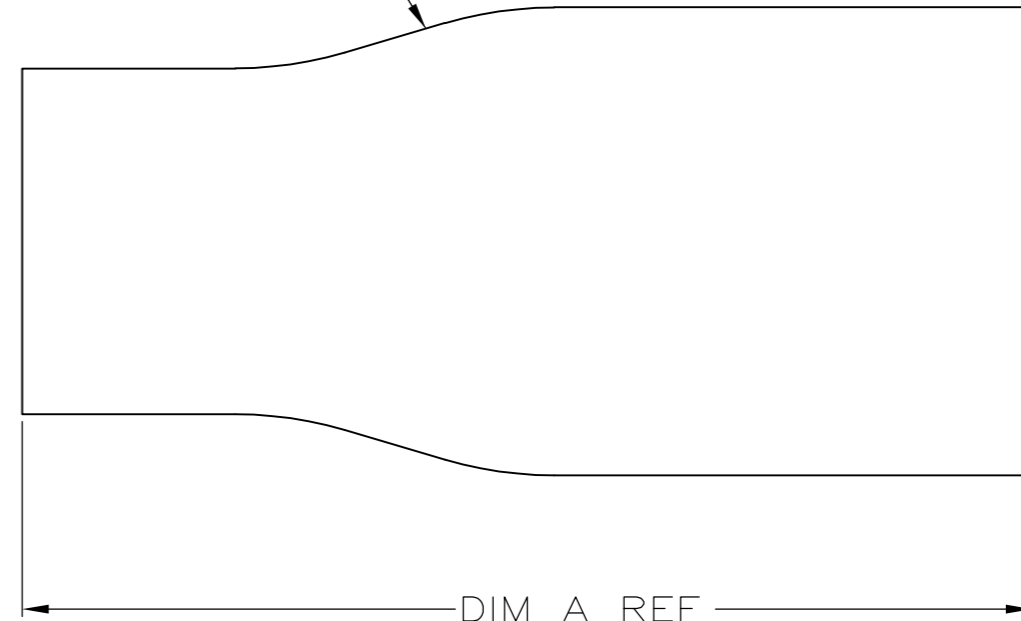
THIS DRAWING IS UNPUBLISHED. RELEASED FOR PUBLICATION
 © COPYRIGHT - By - ALL RIGHTS RESERVED.

LOC		DIST		REVISIONS			
P	LTR	DESCRIPTION		DATE	DWN	APVD	
	G	REV PER ECO 12-014639		8-9-12	CT	DE	

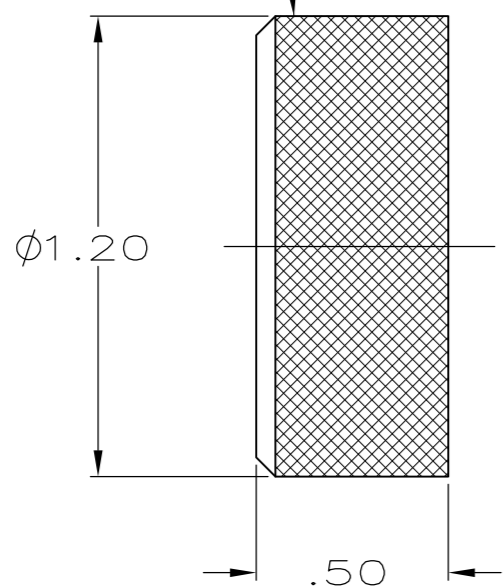
BOOT, SHRINKABLE, 90°
 MAT'L: POLYOLEFIN



BOOT, SHRINKABLE, STRAIGHT
 MAT'L: POLYOLEFIN

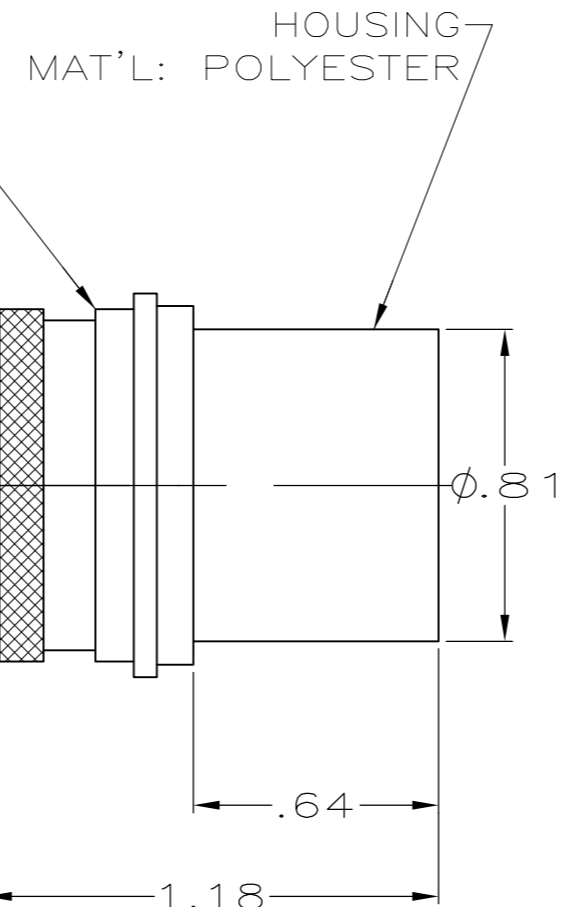


CAP
 MAT'L: BRASS
 FINISH: NICKEL
 OVER COPPER FLASH



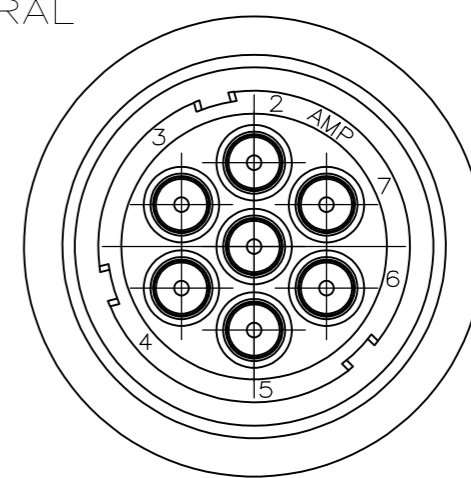
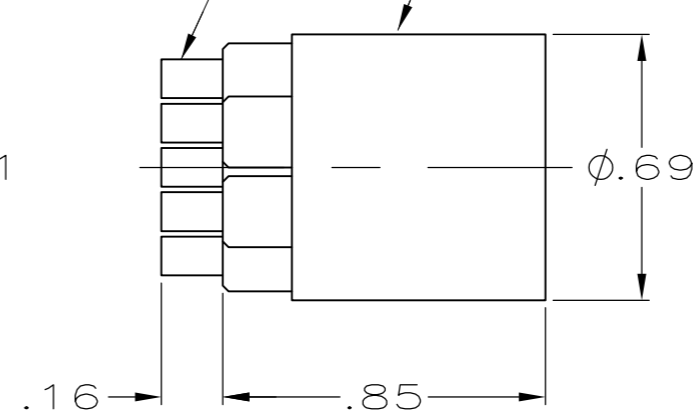
FERRULE
 MAT'L: BRASS
 FINISH: NICKEL
 OVER COPPER FLASH

2 -5 ONLY



SOCKET END

SLUG
 MAT'L: SILICONE RUBBER
 COLOR: NATURAL



1 REF. DIMENSION "A" APPLIES ONLY AFTER SHRINKING OF SHRINK BOOT.
 2 FERRULE IS NOT ATTACHED TO PLUG HOUSING. (-5 ONLY)

2	-	NO SHRINKABLE BOOT	865656-5
-	3.15	STRAIGHT SHRINKABLE BOOT	865656-4
-	-	NO SHRINKABLE BOOT	865656-3
-	-	90° SHRINKABLE BOOT	865656-2
-	2.63	STRAIGHT SHRINKABLE BOOT	865656-1
REMARKS	DIM A 1	DISCRIPTION	PART NUMBER

THIS DRAWING IS A CONTROLLED DOCUMENT.		DWN C.C.THOMAS 7-15-96	TE TE Connectivity	
DIMENSIONS: INCHES		CHK S.GLATFELTER 8-13-96		
TOLERANCES UNLESS OTHERWISE SPECIFIED:		APVD -	NAME PLUG KIT, 7 PIN MINIATURE, LGH	
0 PLC ± -		PRODUCT SPEC -	SIZE A2	
1 PLC ± -		APPLICATION SPEC -	CAGE CODE 00779	DRAWING NO 865656
2 PLC ± .03		WEIGHT -	RESTRICTED TO -	
3 PLC ± .015		CUSTOMER DRAWING	SCALE 2:1	SHEET 1 of 1
4 PLC ± -			REV G	
ANGLES ± -				
FINISH -				