

## SPECIFICATIONS

### ELECTRICAL

USB

INPUT: 5V @ 25mA max

OUTPUT: USB1.1

### MECHANICAL

BALL DIAMETER: 2.25"

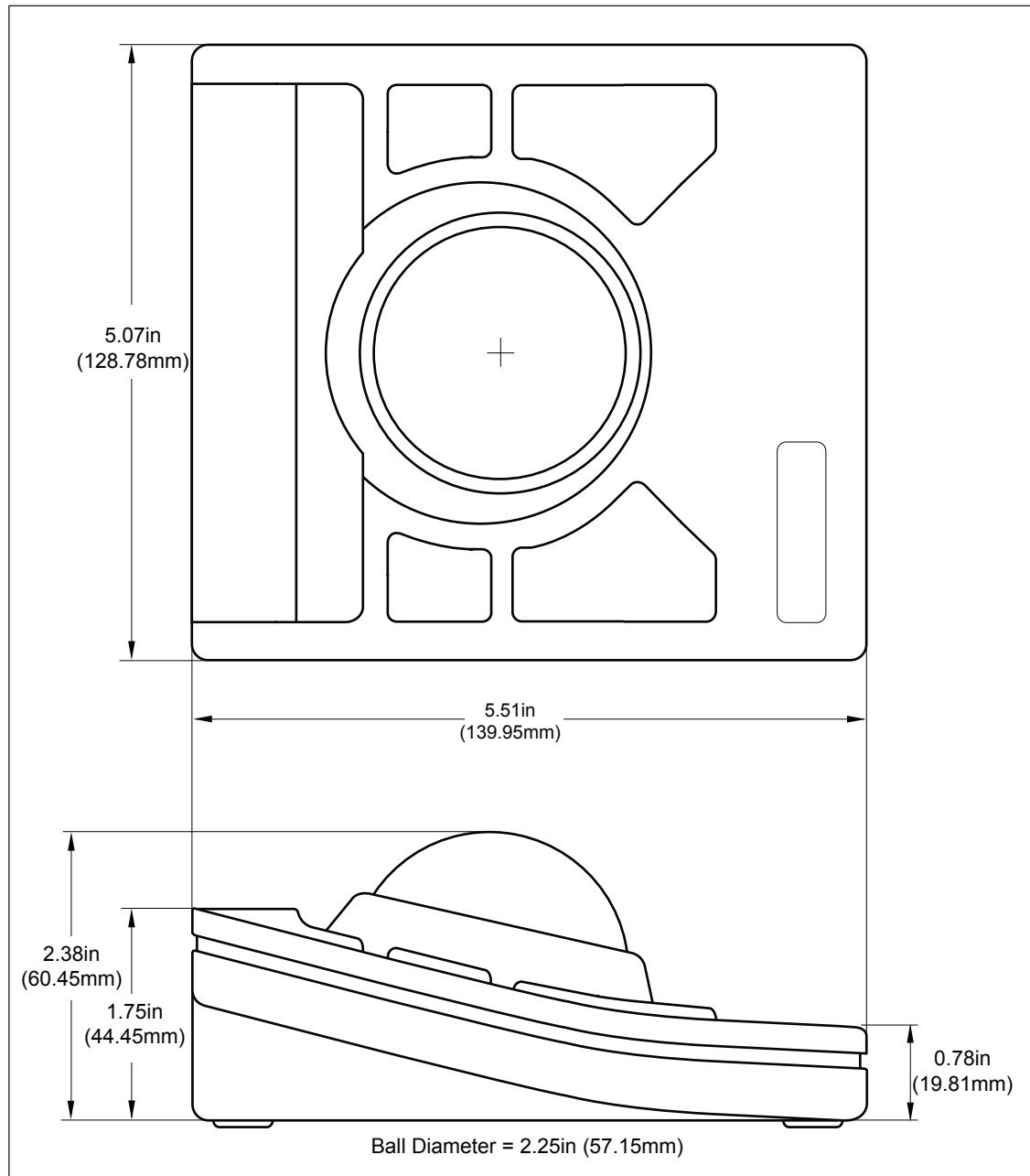
BALL ROTATION: Continuous

TRACKING FORCE: 12g

WEIGHT: 460g

LIFE CYCLE (BALL ROTATIONS): 5 Million

RoHS compliant



P/N	<b>DT2257X20V00-BIk</b>	REV	<b>A</b>
DESCRIPTION	DT225 Black Desktop Trackball, USB		
<p>PROPRIETARY AND CONFIDENTIAL          THE INFORMATION CONTAINED IN THIS DRAWING IS THE SOLE PROPERTY OF CH PRODUCTS. ANY REPRODUCTION IN PART OR AS WHOLE WITHOUT THE WRITTEN PERMISSION OF CH PRODUCTS IS PROHIBITED.</p>			